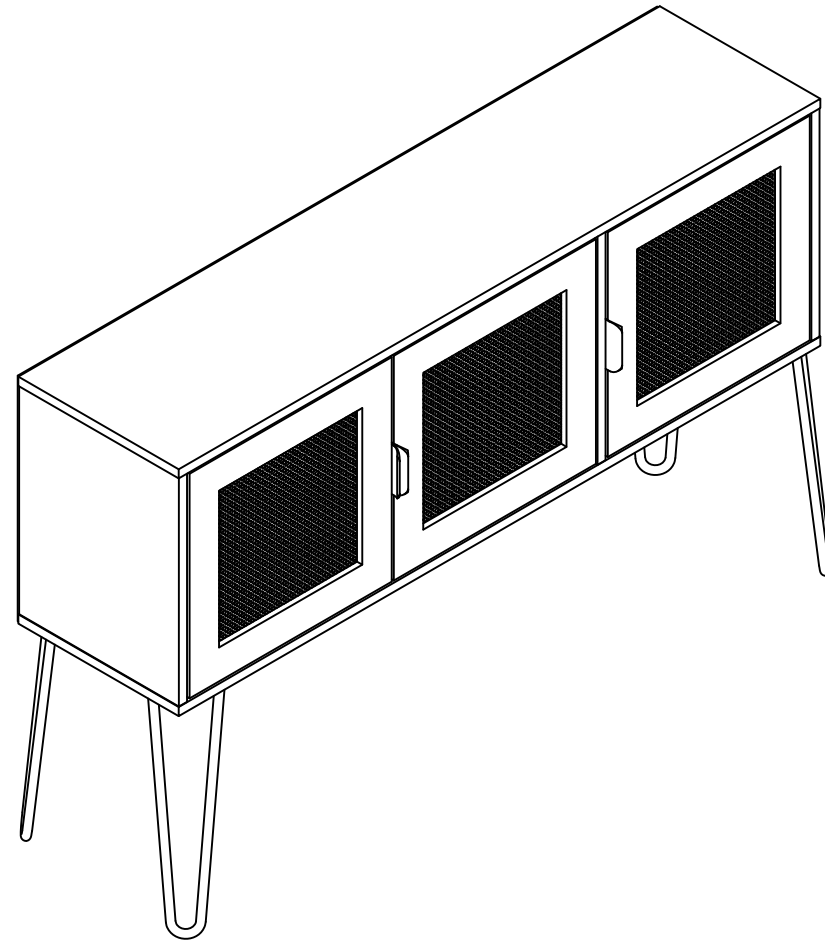


Console Table



>> Assembly Instruction

Before you begin

1. Check for damaged or missing parts.
2. Use the carton as a working surface to prevent product damage during assembly.
3. Gather all tools prior to assembly.
4. Two person lift, and Two person assembly.
5. Do Not remove safety strap from top frame before lifting top frame out of carton.

Table of contents



Introduction	2
Hardware	4
Parts list	5
Assembly	6 - 16

hardware

(H1) x 6
cam bolt



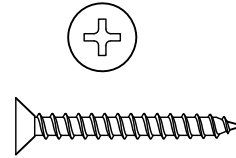
(H2) x 6
cam lock



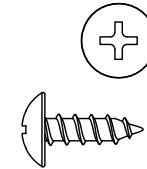
(H3) x 6
wooden dowel



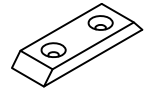
(H4) x 6
M4.2*1-3/16" screw



(H5) x 16
M4.2*1/2" screw



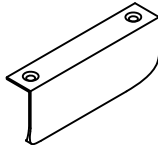
(H6) x 2
shelf support



(H7) x 10
M3.5*7/16" screw



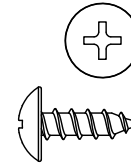
(H8) x 3
handle



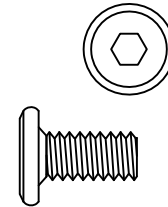
(H9) x 6
hinge



(H10) x 24
M4.2*1/2" screw



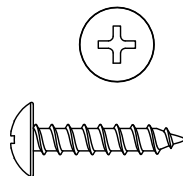
(H11) x 16
1/4"*1/2" bolt



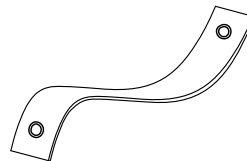
(H12) x 1
wrench



(H13) x 2
M4.2*3/4" screw



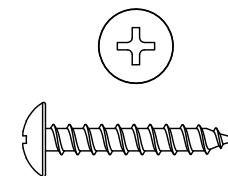
(H14) x 2
wall rope



(H15) x 2
wall anchor

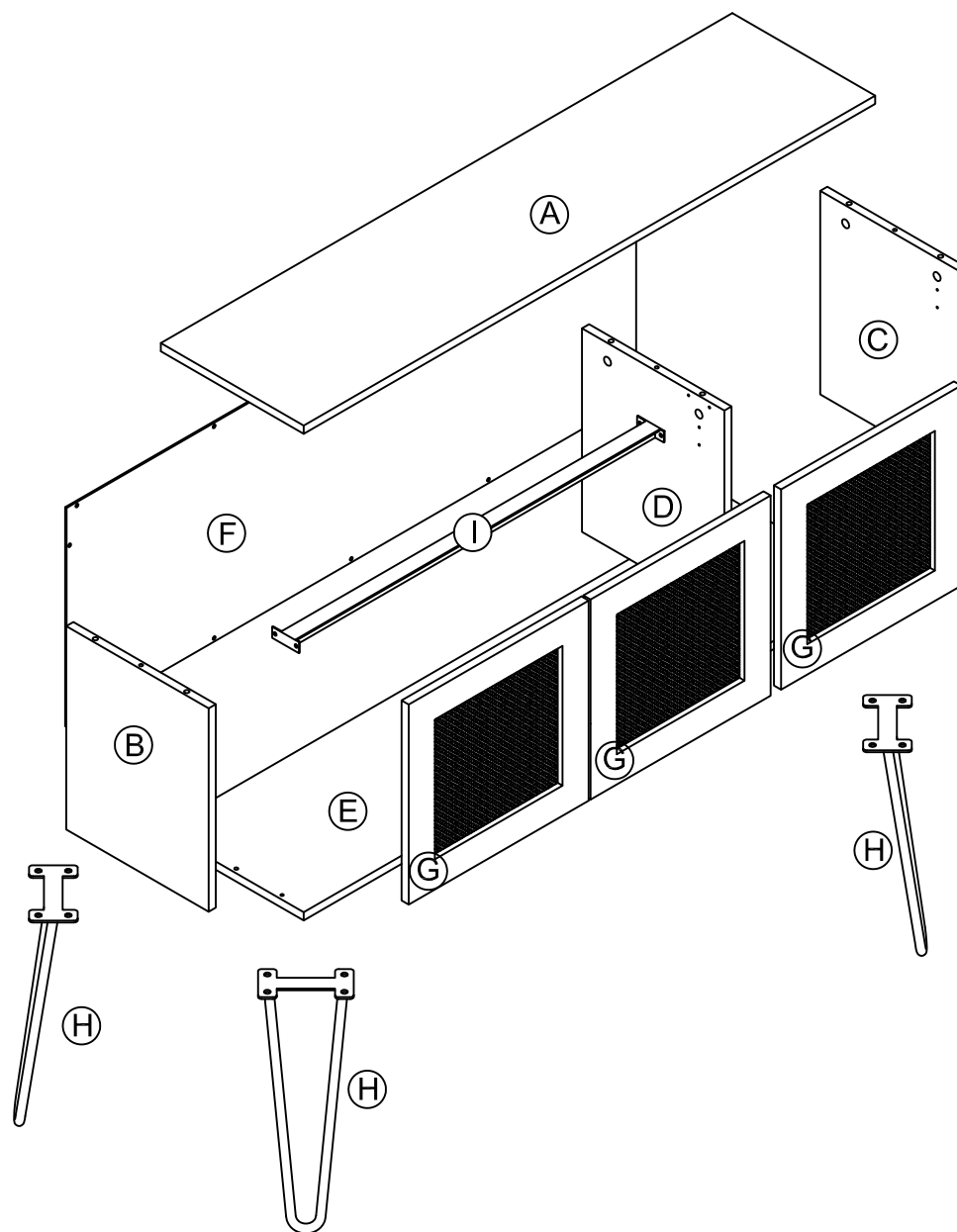


(H16) x 2
M4.2*1" screw

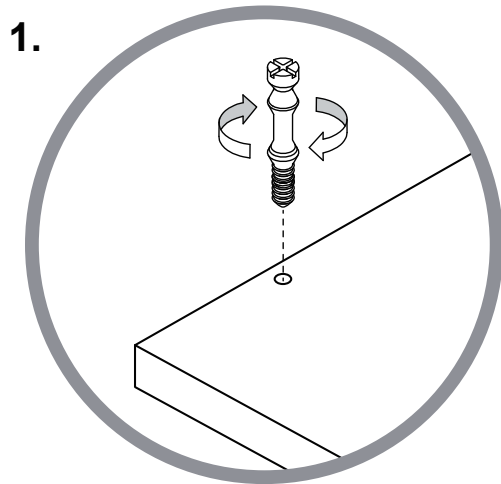


ITEM	DESCRIPTION	QUANTITY
------	-------------	----------

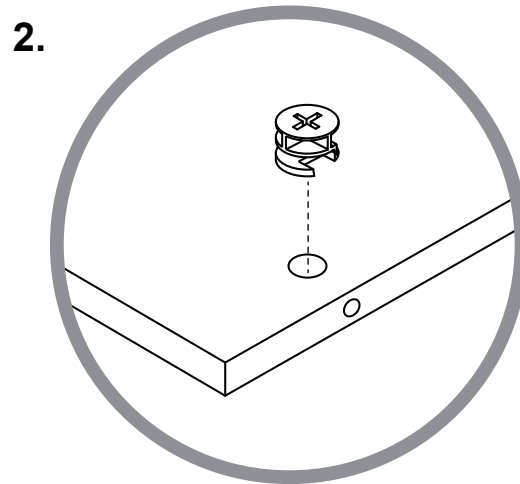
A	top	1
B	left side panel	1
C	right side panel	1
D	middle panel	1
E	bottom	1
F	back panel	1
G	door	3
H	leg	4
I	iron pipe	1



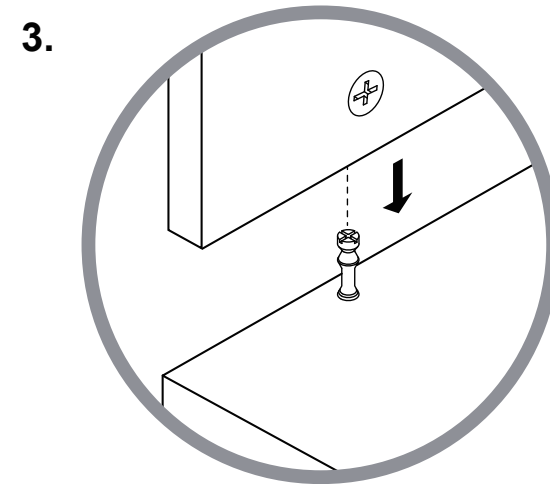
how to use the cam lock system



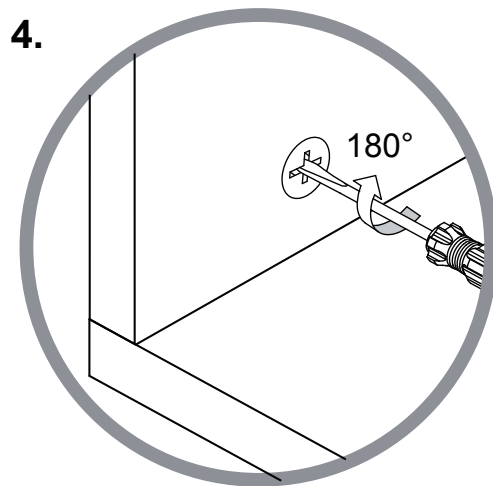
Screw cam bolt into panel



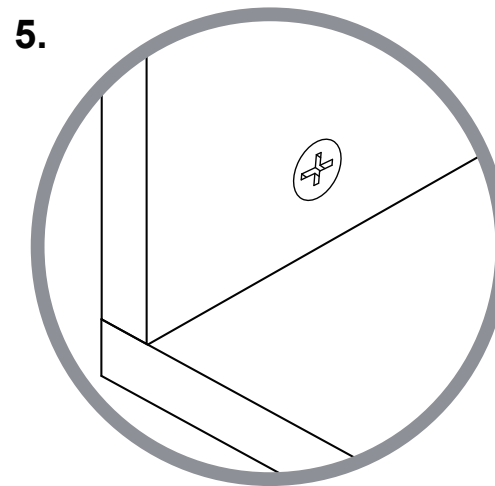
Push cam into panel - arrow feature on cam top points to panel edge



Align cam bolt(s) with cam(s) and insert all the way into cross-bored hole(s)



Rotate cam(s) clockwise 190°-230° to lock panels together



Panels should be tight against each other and connection should be rigid

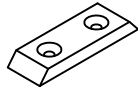
step 1.

.....

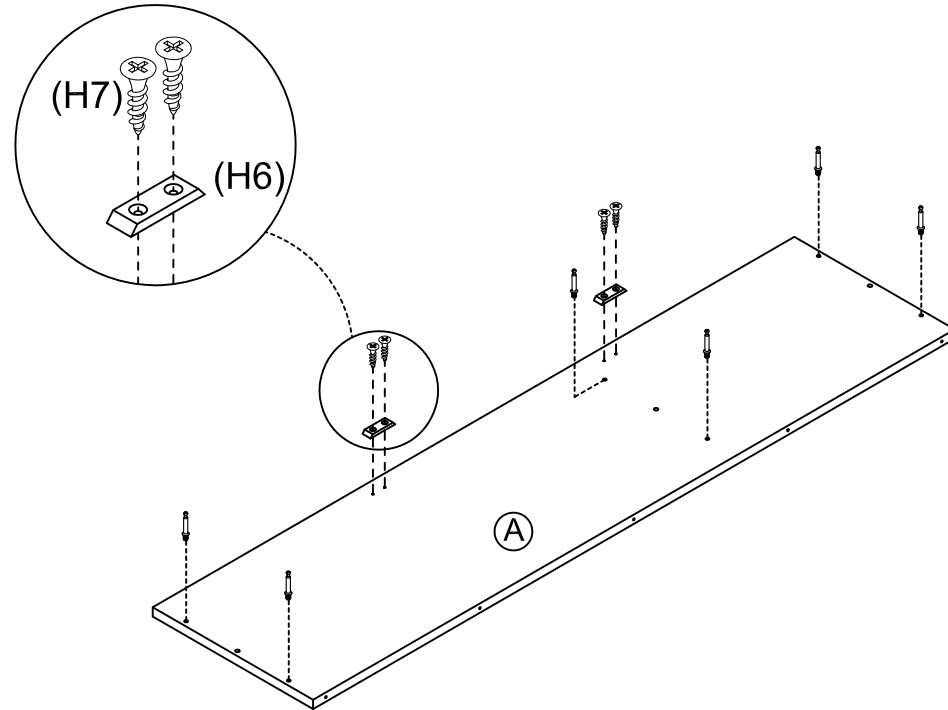
(H1) x 6
cam bolt



(H6) x 2
shelf support



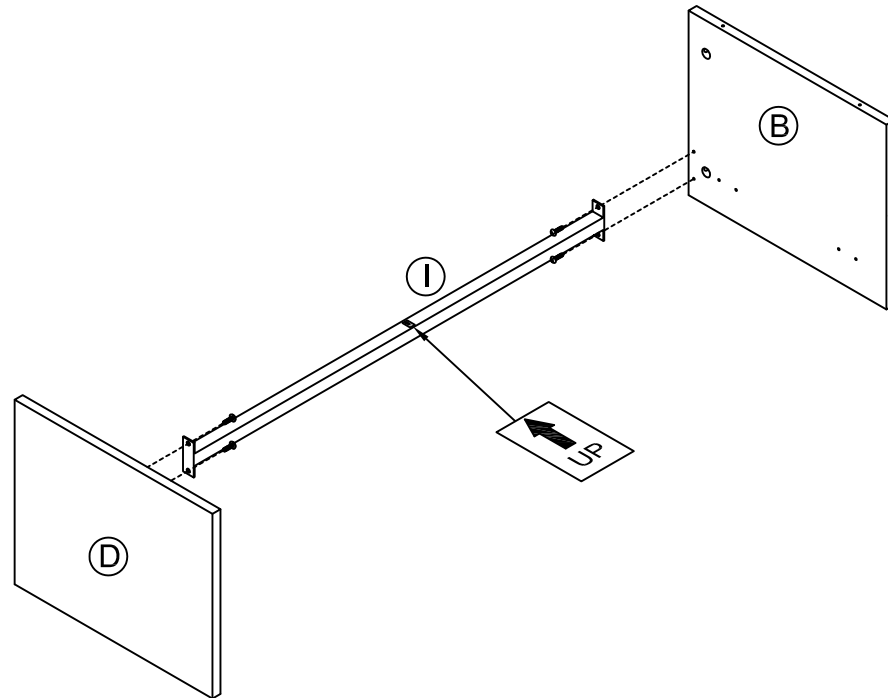
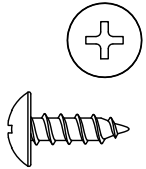
(H7) x 4
M3.5*7/16" screw



- 1.1 Screw six cam bolts(H1) into the Top(A).
- 1.2 Install the shelf support(H6) to the top(A) panel with two screws(H7).

step 2.

(H5) x 4
M4.2*1/2" screw



2.1 Install the iron pipe(I) to the left and right side panels(B&D) with 4 screws(H5).

step 3.

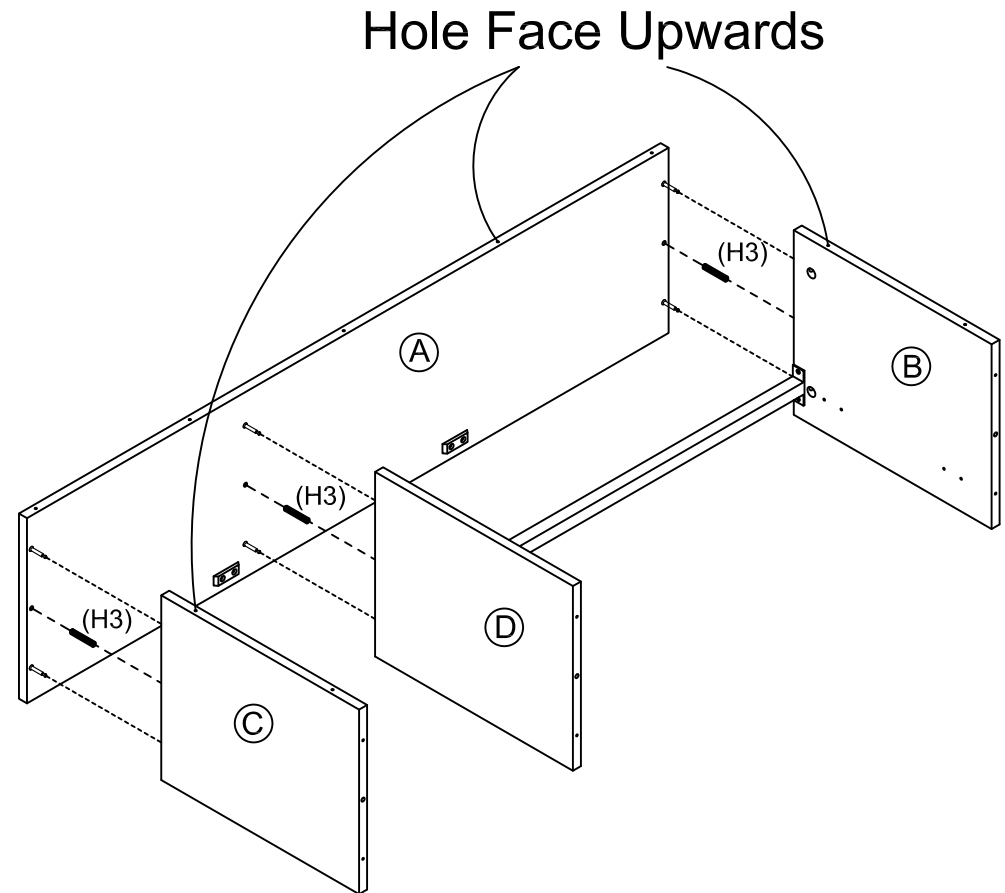
.....

.....

(H2) x 6
cam lock



(H3) x 3
wooden dowel



- 3.1 Insert three wooden dowels(H3) into the left and right side panels(B&C) and the middle panel(D).
- 3.2 According to the annotations in the reference diagram, connect the top(A) with the left and right side panels(B&C) and the middle panel(D) using six cam locks(H2).
- 3.3 Tighten all cam locks.

step 4.

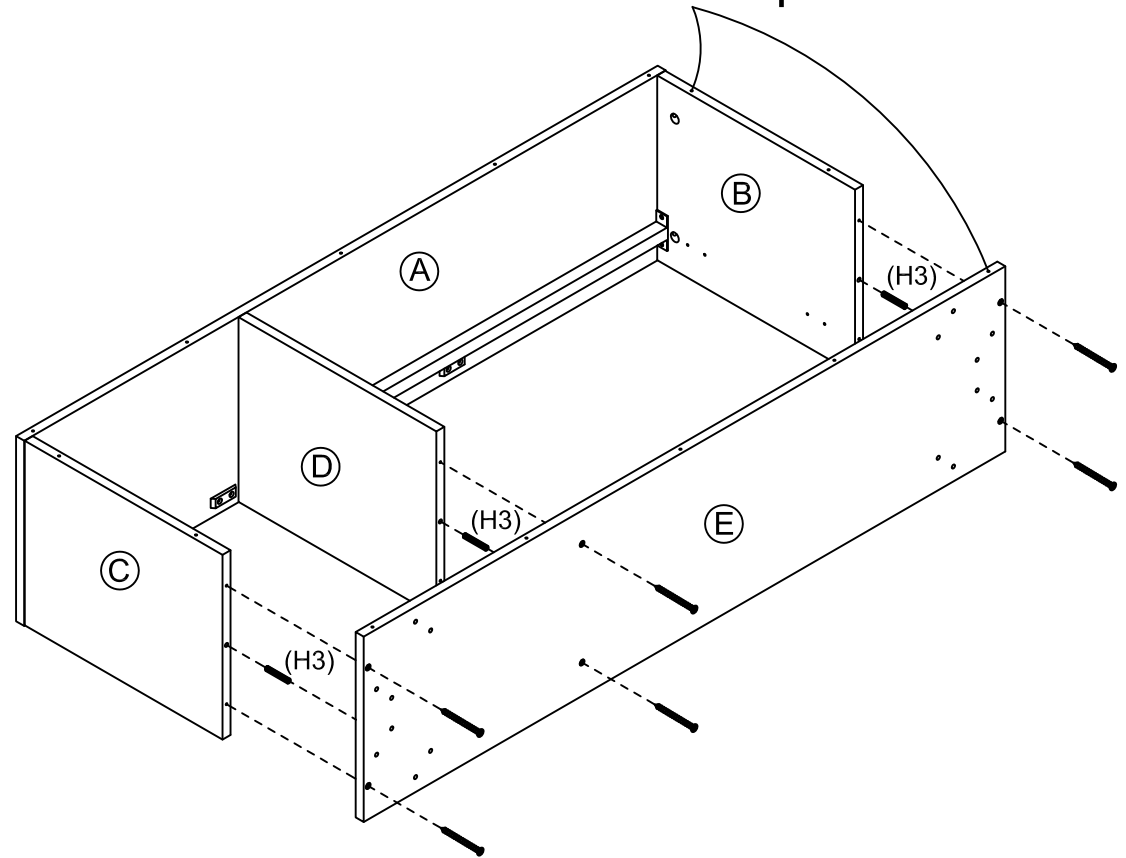
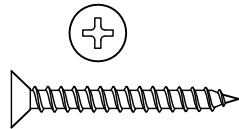
.....

Hole Face Upwards

.....
(H3) x 3
wooden dowel





(H4) x 6
M4.2*1-3/16" screw



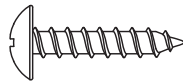
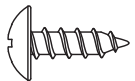
- 4.1 Insert three wooden dowels(H3) into the left and right side panels(B&C) and the middle panel(D).
- 4.2 Connect the bottom(E) and the left and right side panels(B&C) and the middle panel(D) with six screws(H4) according to the marked screw holes.

step 5.

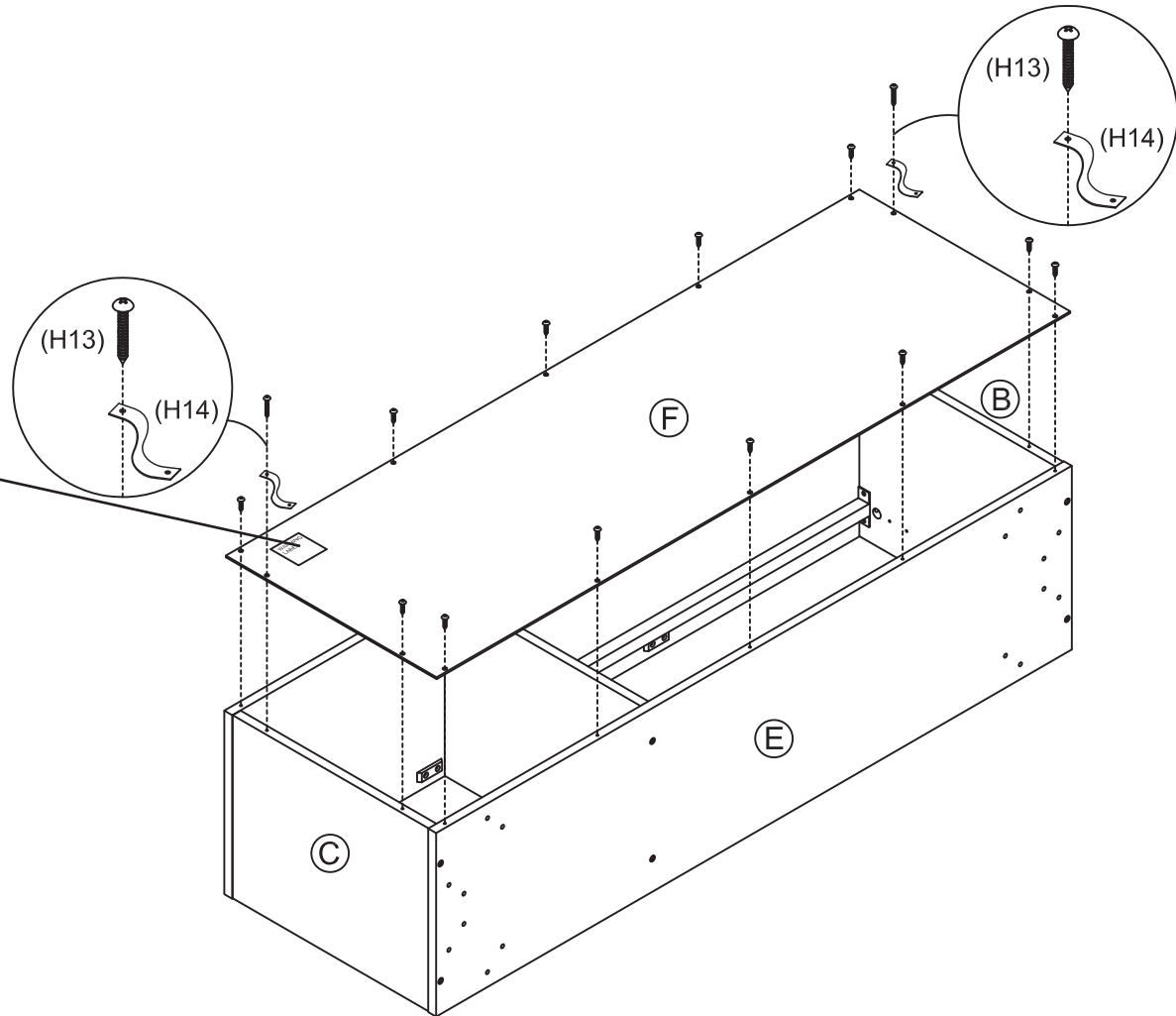
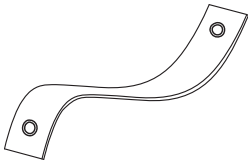
⚠ WARNING	
 	<p>Children have died from furniture tipover. To reduce the risk of furniture tipover:</p> <ul style="list-style-type: none"> • ALWAYS install tipover restraint provided. • NEVER put a TV on this product. • NEVER allow children to stand, climb or hang on drawers, doors, or shelves. • NEVER open more than one drawer at a time. • Place heaviest items in the lowest drawers. <p><i>This is a permanent label. Do not remove!</i></p>

(H5) x 12
M4.2*1/2" screw

(H13) x 2
M4.2*3/4" screw



(H14) x 2
wall rope



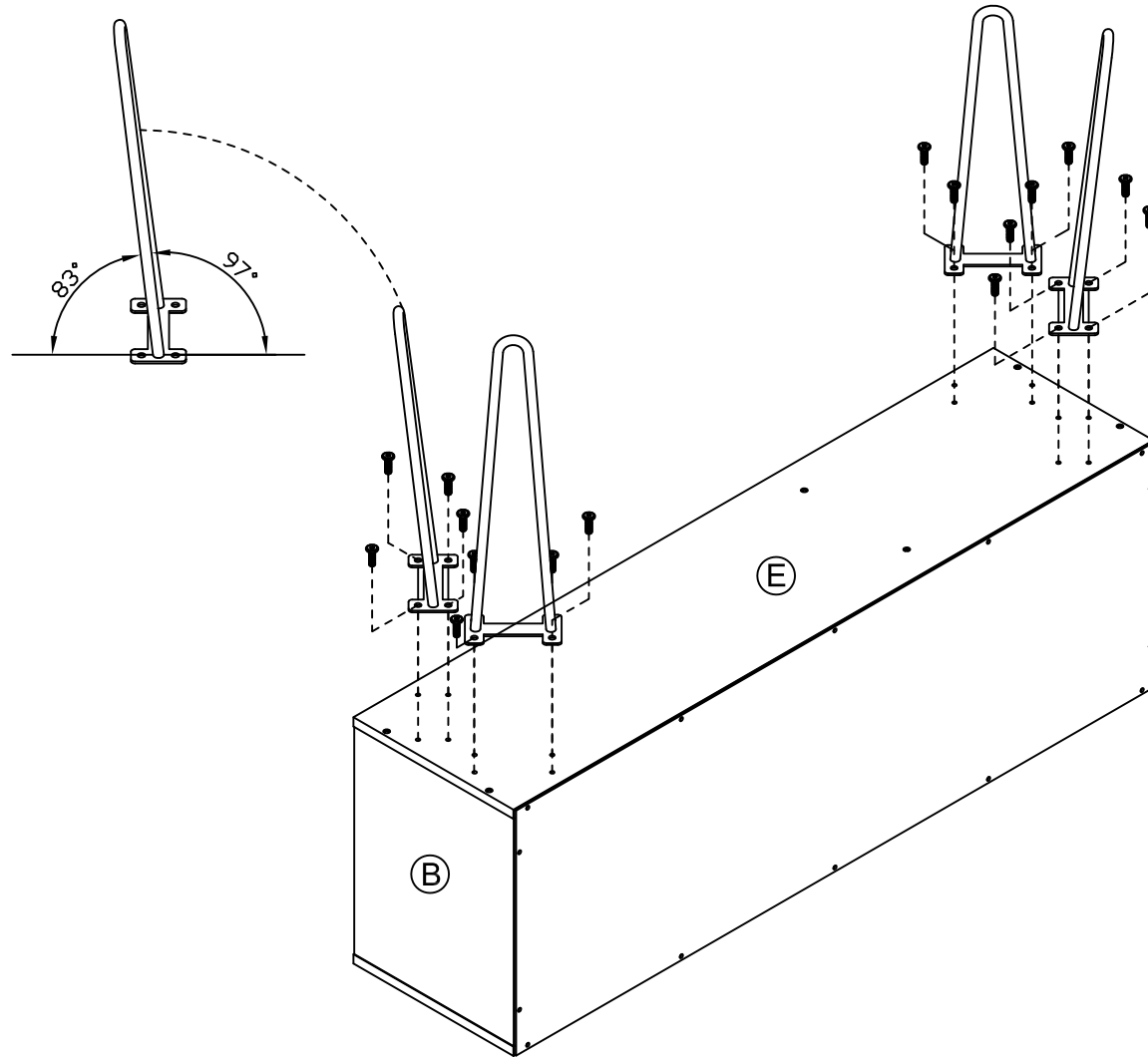
Tip: To prevent misalignment of the holes during installation, do not tighten the screws initially. Wait until all screws are inserted into their corresponding holes before tightening all screws.

5.1 Install the back panel(F) on the assembly with twelve screws.

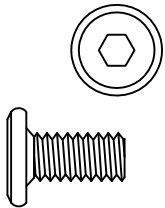
5.2 Install the wall rope(H14) on the assembly with two screws.

5.3 Tighten all screws.

step 6.



(H11) x 16
1/4"*1/2" bolt



(H12) x 1
wrench



- 6.1 Install the iron leg(H) on the component with six bolts(H11).
- 6.2 Lock all the bolts before tightening them.

step 7.

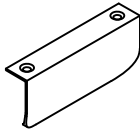
.....

.....

(H7) x 6
M3.5*7/16" screw



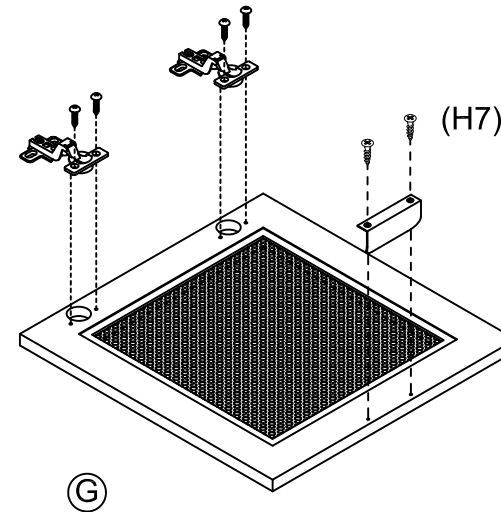
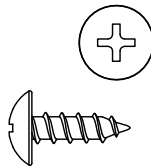
(H8) x 3
handle



(H9) x 6
hinge



(H10) x 12
M4.2*1/2" screw



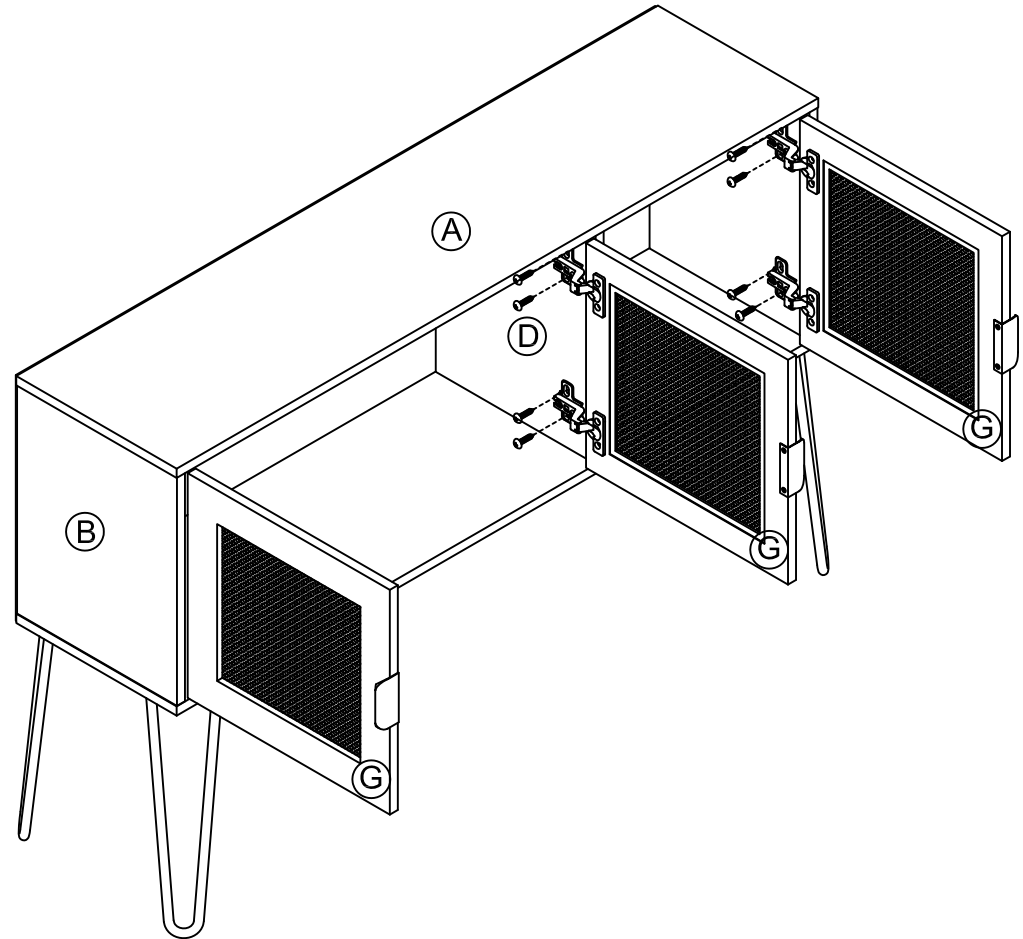
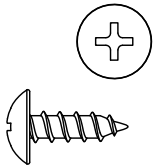
- 7.1 Install two hinges(H9) on the door(G) with four screws(H12).
- 7.2 Install handle(H8) on the door(G) with two screws(H7).
- 7.3 Repeat the operation more than three times to install three doors.

step 8.

.....

.....

(H10) x 12
M4.2*1/2" screw

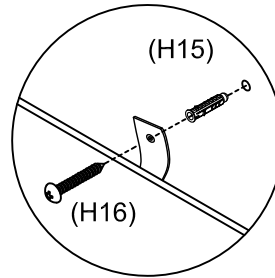


8.1 Use twelve screws(H10) to install the three doors(G) on the left side panel(B), right side panel(C), and middle side panel(D).

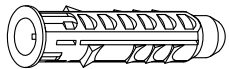
8.2 After installing the three doors, if there are different gaps between the doors or if the doors are interfering with each other, please refer to the last few pages of the manual for hinge adjustment methods.

step 9.

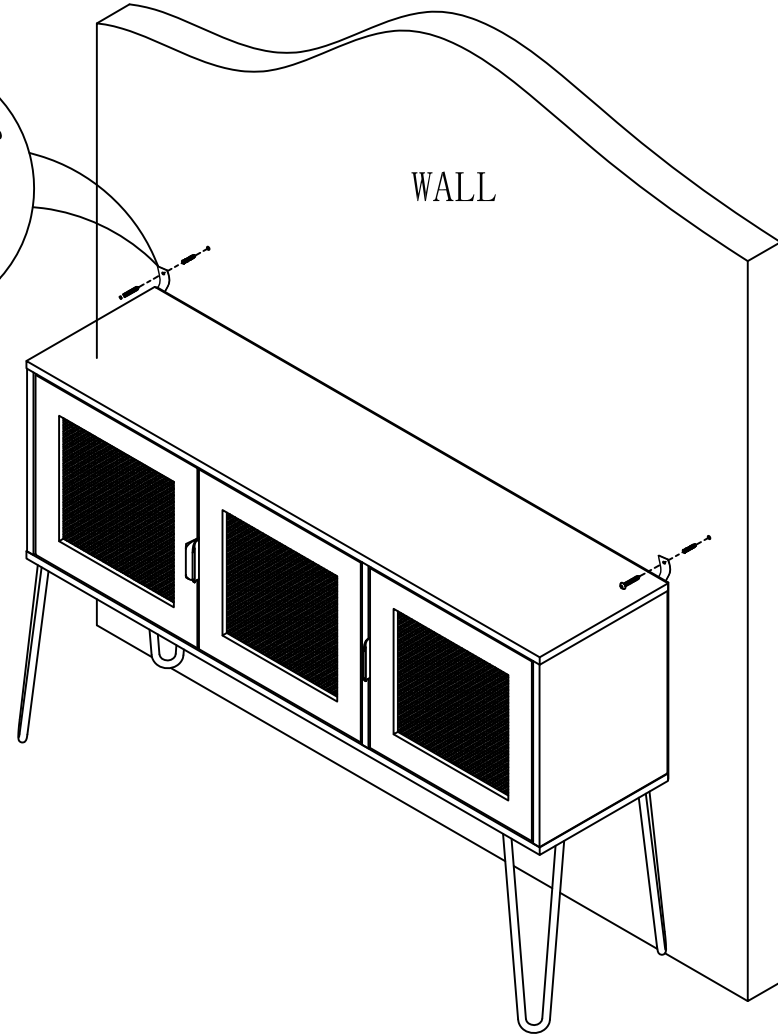
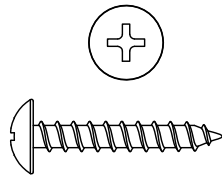
Drill a 6.5mm diameter hole (1/4") in the wallboard.
Tap the wall anchor (H15)
into the hole until it is flush.



(H15) x 2
wall anchor

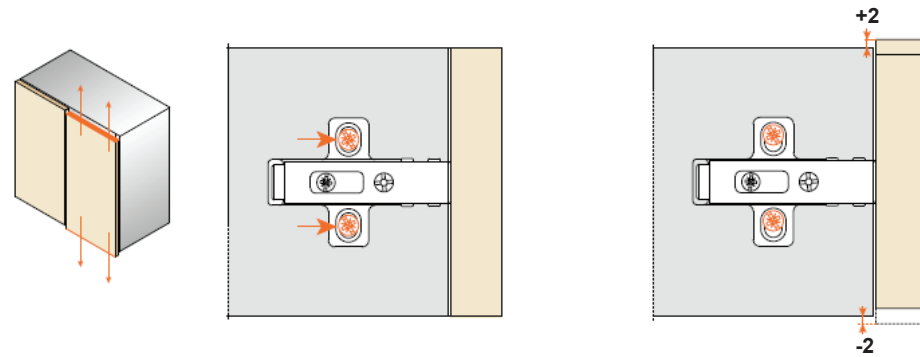


(H16) x 2
M4.2*1" screw

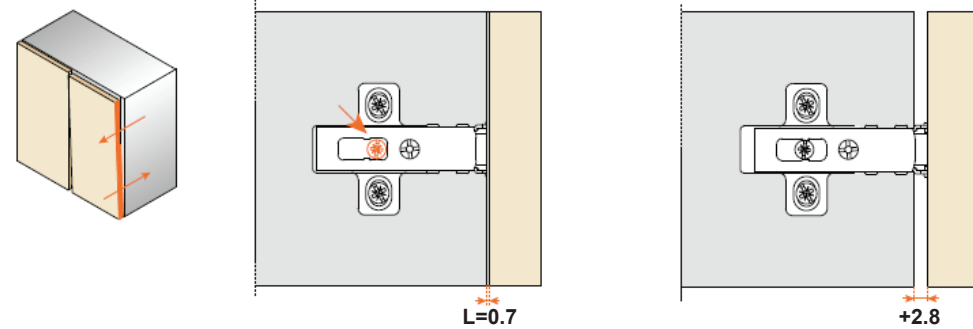


9.1 Screw strap(H14) to wall using screw(H16).

Height Adjustment is achieved by loosening the two screws indicated by the arrows. Once all plates are loosened, the door can be repositioned vertically. The screws are then tightened when the door is in the desired position.



Depth Adjustment is achieved by loosening the center screw indicated by the arrow. Once loosened, the door can then be positioned away from the cabinet up to 2.8mm. The screw is then tightened when the door is in the desired position.



Lateral Adjustment is achieved by rotating the screw indicated by the arrow. By rotating the screw clockwise, the overlay will be reduced and if rotated counterclockwise, the overlay will be increased.

