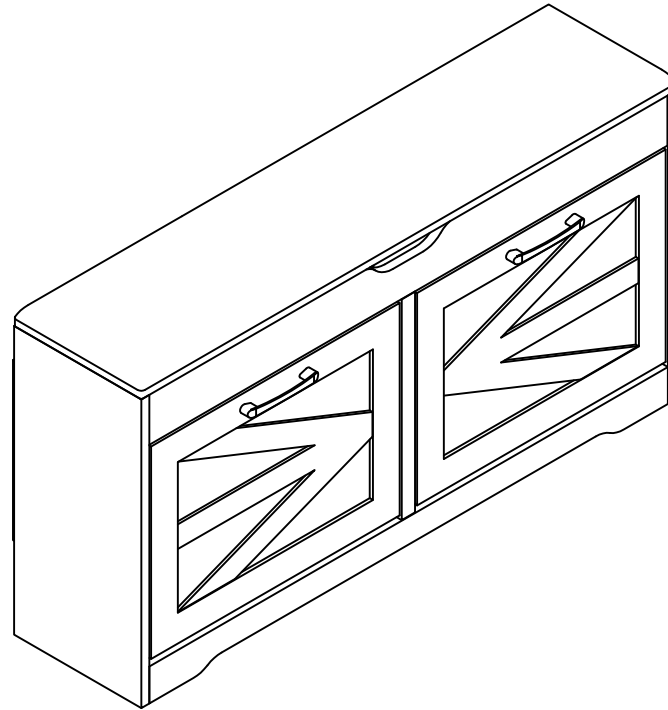


Shoe Bench with Double Doors



>> Assembly Instruction

Before you begin

1. Check for damaged or missing parts.
2. Use the carton as a working surface to prevent product damage during assembly.
3. Gather all tools prior to assembly.
4. Two person lift, and Two person assembly.
5. Do Not remove safety strap from top frame before lifting top frame out of carton.

tools needed

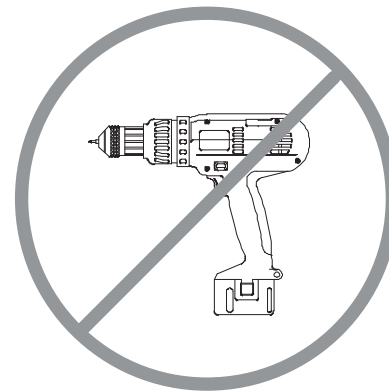
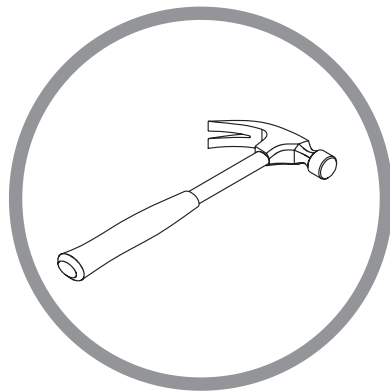
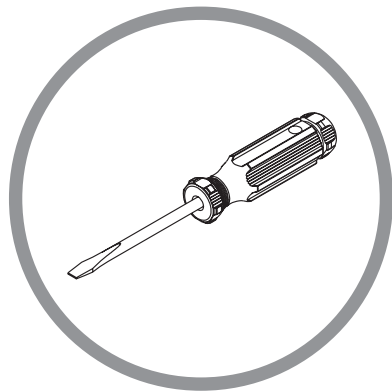
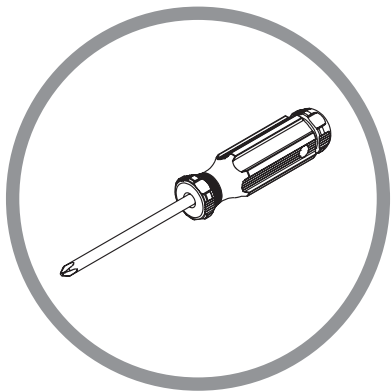


Table of contents



Introduction	2
Hardware	4
Parts list	5
Assembly	6 - 20

hardware

(H1) x 17
cam bolt



(H2) x 17
cam lock



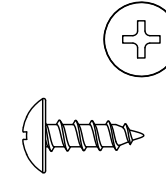
(H3) x 10
wooden dowel



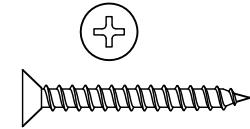
(H4) x 24
M3.5*5/8" screw



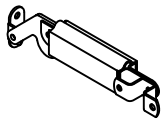
(H5) x 24
M4.2*1/2" screw



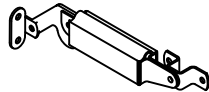
(H6) x 2
M4.2*1-3/16" screw



(H7) x1
left support hinge



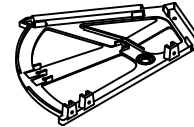
(H8) x1
right support hinge



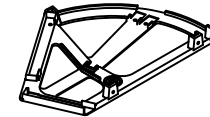
(H9) x2
hinge



(H10) x2
left turnplate



(H11) x 2
right turnplate



(H12) x 4
plastic parts 1



(H13) x 4
plastic parts 2



(H14) x 4
plastic parts 3



(H15) x 4
M4*3/4" bolt



(H16) x 4
M3.5*7/16" screw



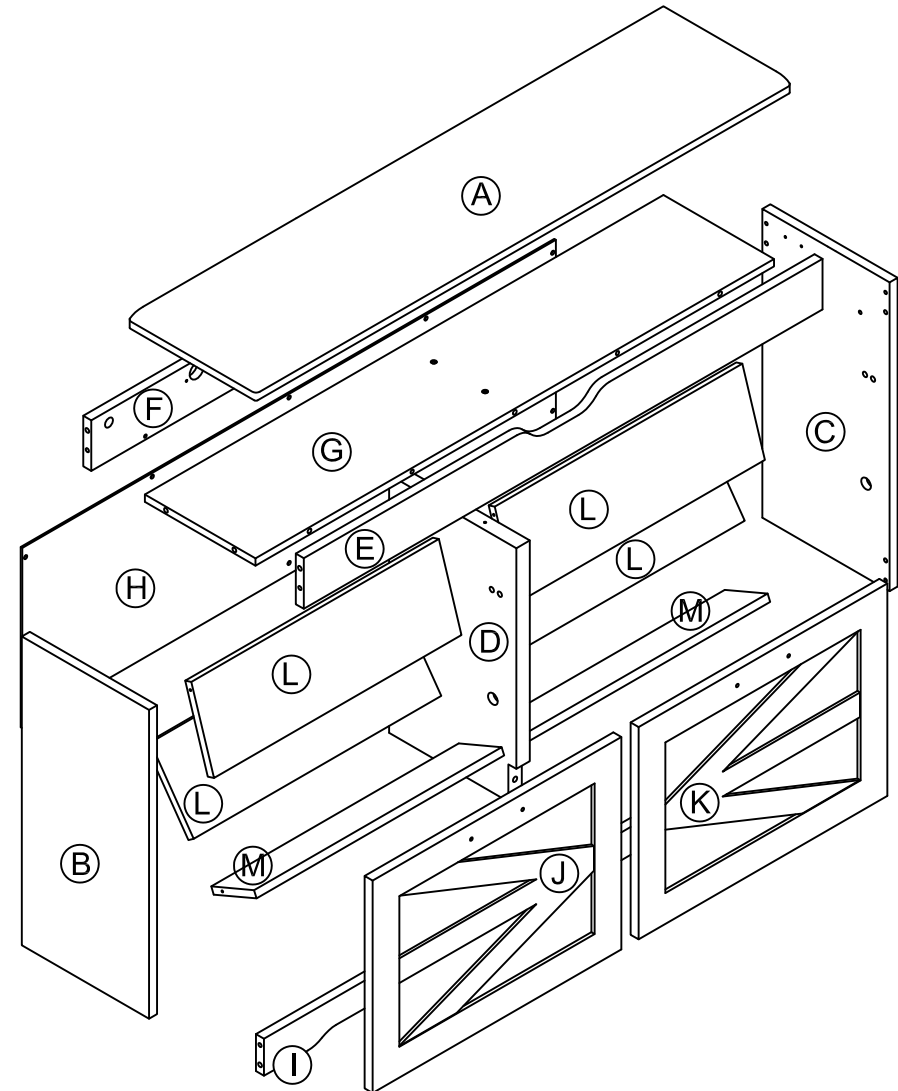
(H17) x 2
handle



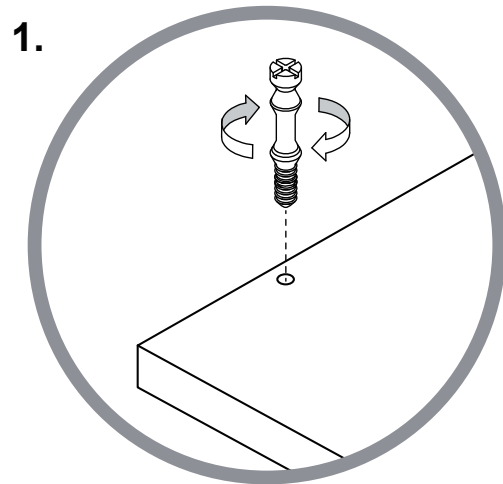
ITEM DESCRIPTION QUANTITY

.....

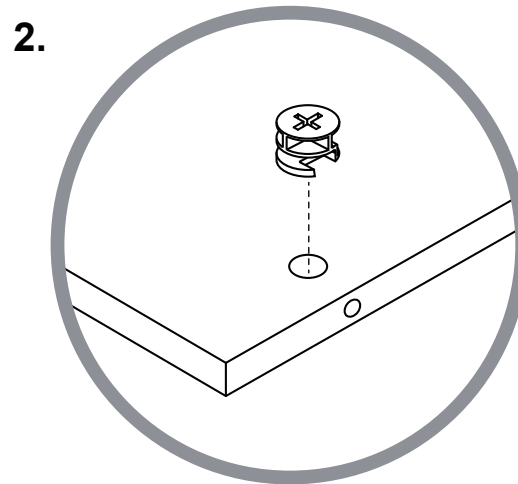
A	top	1
B	left side panel	1
C	right side panel	1
D	middle panel	1
E	front vertical plate	1
F	back vertical plate	1
G	bottom	1
H	back panel	1
I	bottom vertical plate	1
J	left turning panel	1
K	right turning panel	1
L	shelf	4
M	small top	2



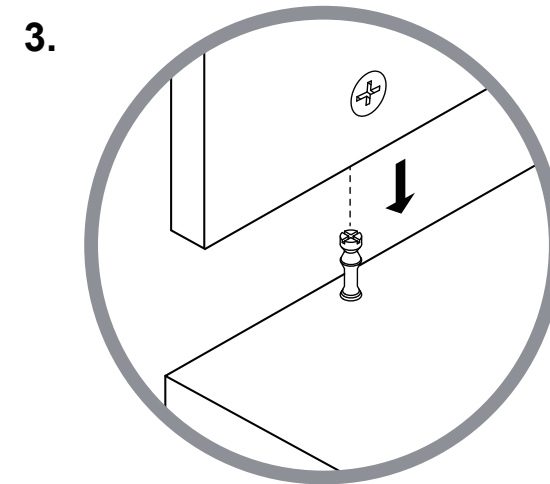
how to use the cam lock system



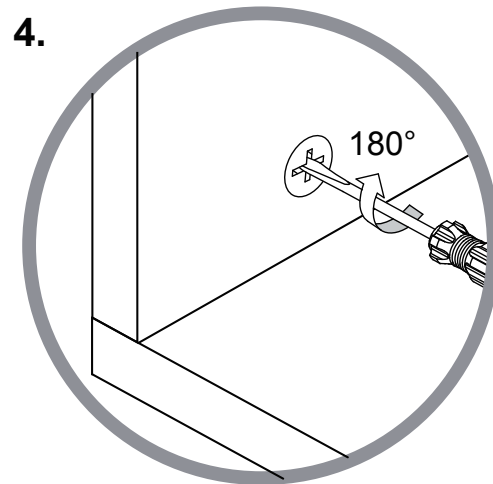
Screw cam bolt into panel



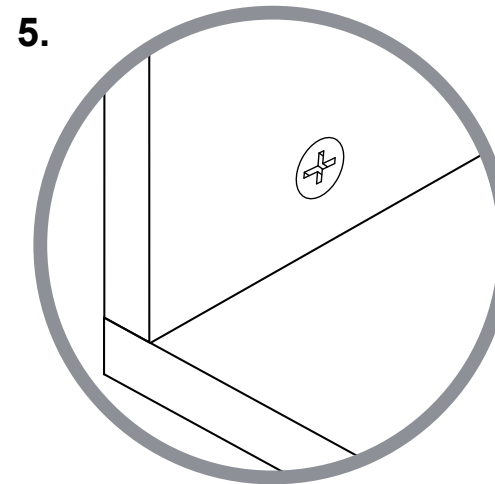
Push cam into panel - arrow feature on cam top points to panel edge



Align cam bolt(s) with cam(s) and insert all the way into cross-bored hole(s)



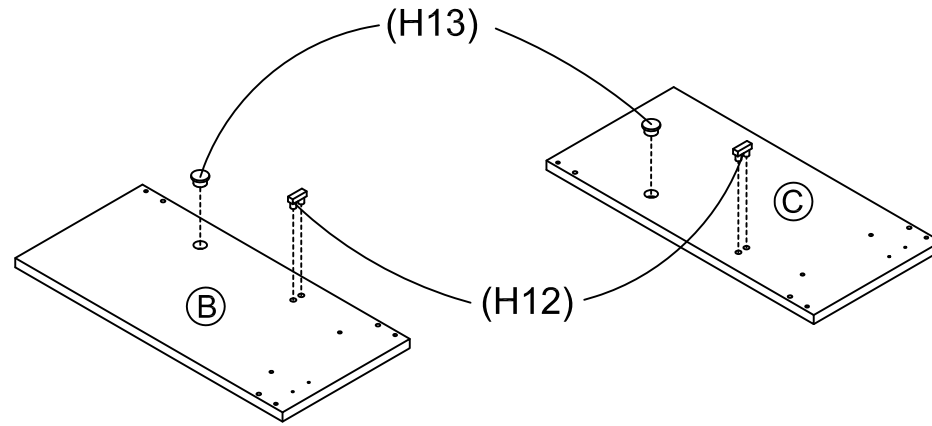
Rotate cam(s) clockwise 190°-230° to lock panels together



Panels should be tight against each other and connection should be rigid

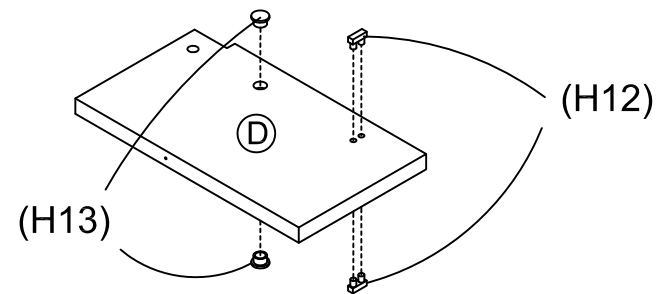
step 1.

.....
Note: When loading plastic parts, please use a hammer to tap them in parallel.



.....
(H12) x 4
plastic parts

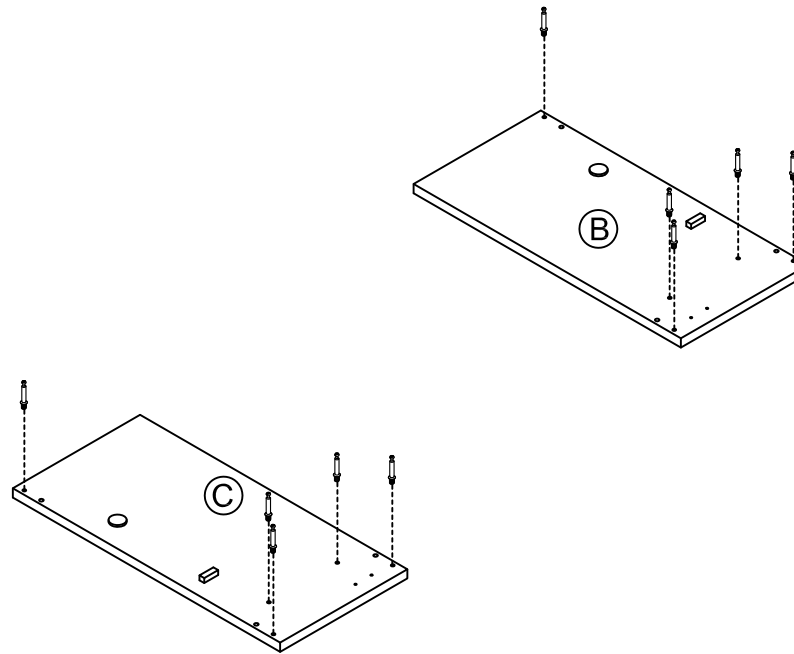
(H13) x 4
plastic parts



1.1 Insertion of plastic parts(H12, H13) into the left side panel(B), right side panel(C) and middle panel(D).

step 2.

(H1) x 10
cam bolt



- 2.1 Screw the five cam bolts(H1) into left side panel(B).
- 2.2 Screw the five cam bolts(H1) into left side panel(C).

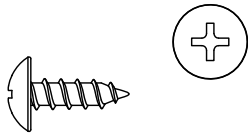
step 3.

.....

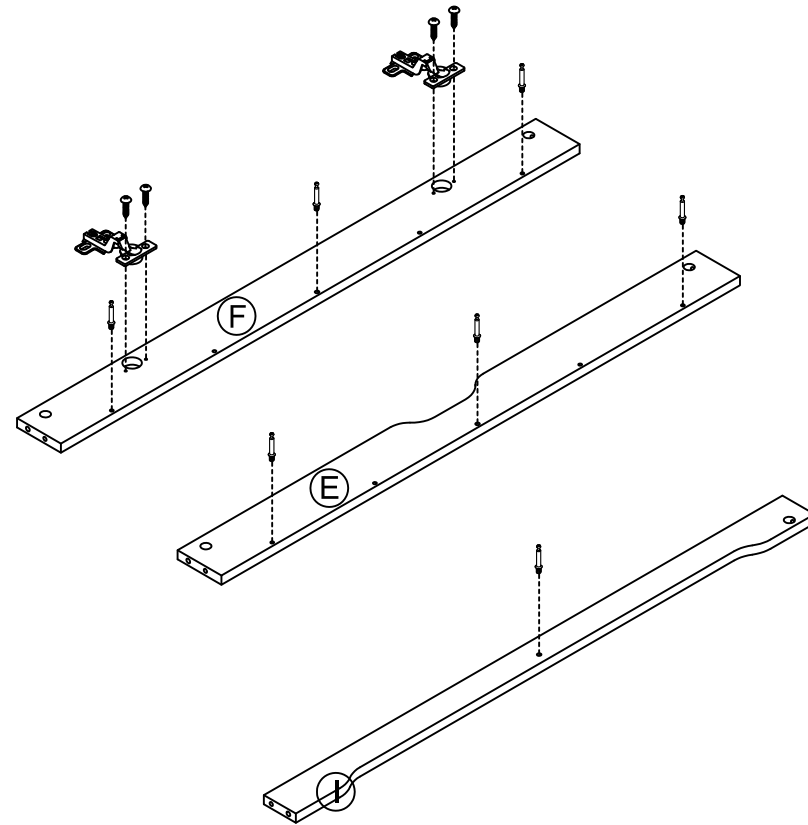
(H1) x 7
cam bolt



(H5) x 4
M4.2*1/2" screw



(H9) x 2
hinge



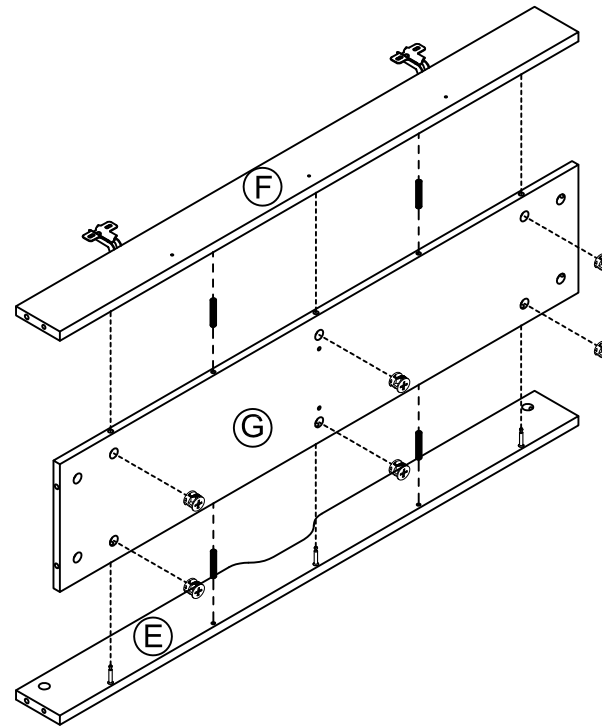
- 3.1 Screw the three cam bolts(H1) into back vertical plate(F).
- 3.2 Attach two hinges(H9) to back vertical plate(F) using four screws(H5).
- 3.3 Screw the three cam bolts(H1) into front vertical plate(E).
- 3.4 Screw the one cam bolts(H1) into bottom vertical plate(I).

step 4.

(H2) x 6
cam lock



(H3) x 4
wooden dowel



- 4.1 Insert the four wooden dowels(H3) into the bottom(G).
- 4.2 Attach front vertical plate(E) and back vertical plate(F) to bottom(G).
- 4.3 Secure bottom(G) using six cam locks(H2).
- 4.4 Fully tighten all cam locks.

step 5.

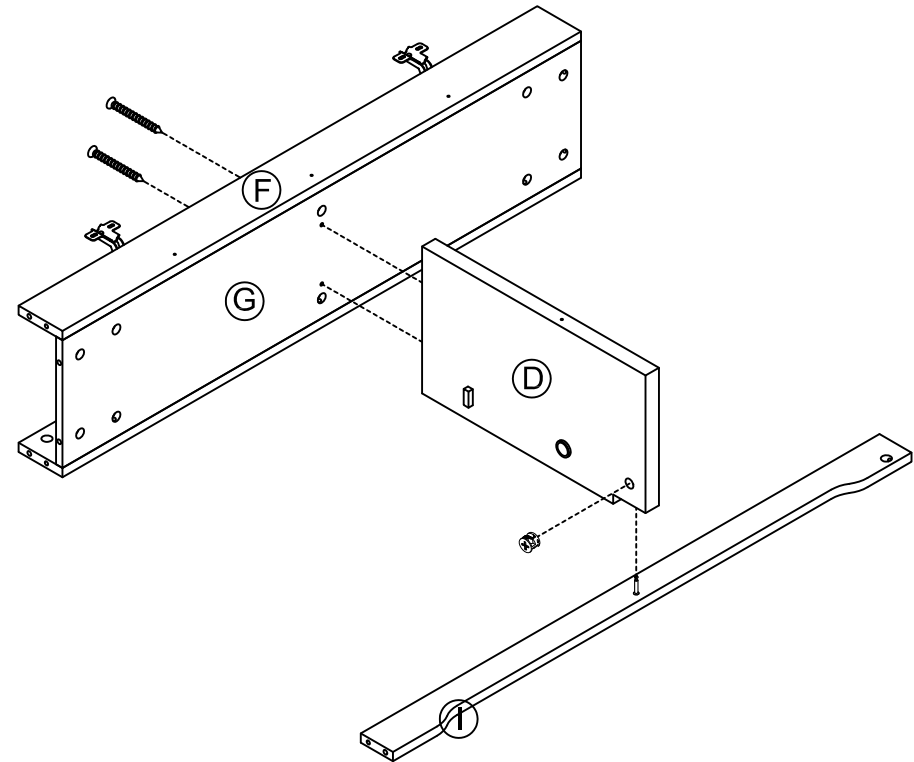
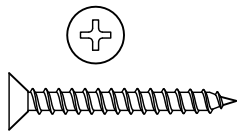
.....

.....

(H2) x 1
cam lock



(H6) x 2
M4.2*1-3/16" screw



5.1 Connect the middle panel(D) and bottom(G) with two screws(H6).

5.2 Attach bottom vertical plate(I) to middle panel(D), secure middle panel(D) using one cam lock(H2).

5.3 Fully tighten cam lock.

step 6.

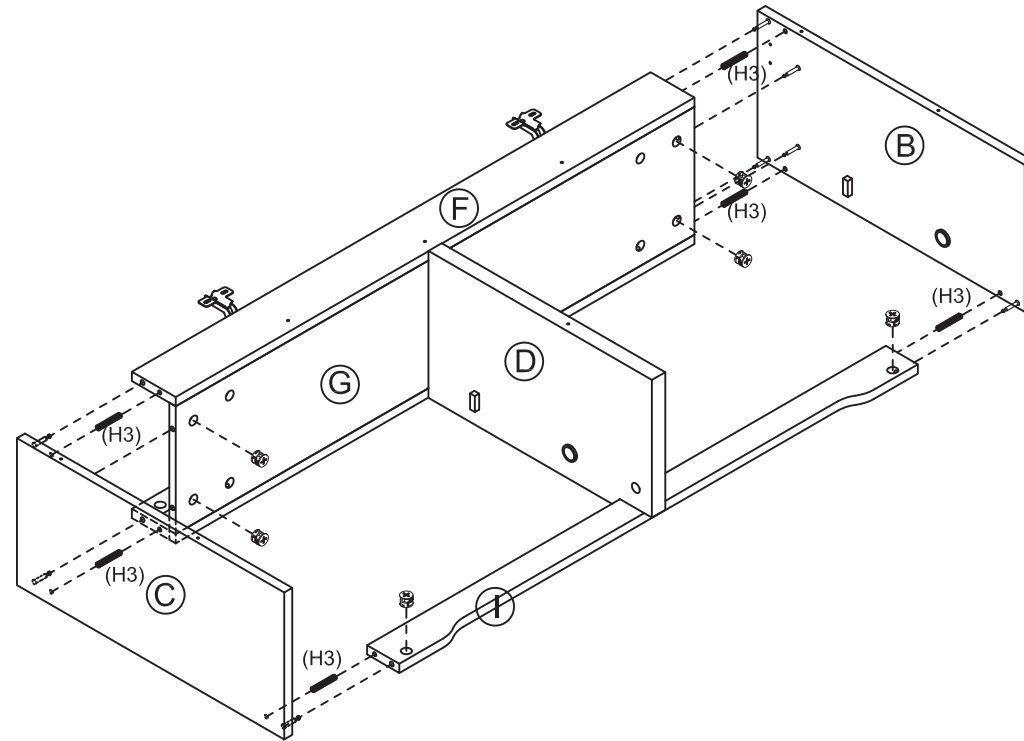
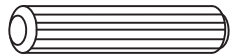
.....

.....

(H2) x 6
cam lock



(H3) x 6
wooden dowel



- 6.1 Insert the six wooden dowels(H3) into the left side panel(B) and right side panel(C).
- 6.2 Attach left side panel(B) and right side panel(C) to the shoe bench as illustrated.
- 6.3 Secure the right side panel(C), bottom(G) and bottom vertical plate(I) with three cam locks(H2).
- 6.4 Secure the left side panel(B), bottom(G) and bottom vertical plate(I) with three cam locks(H2).
- 6.5 Fully tighten all cam locks.

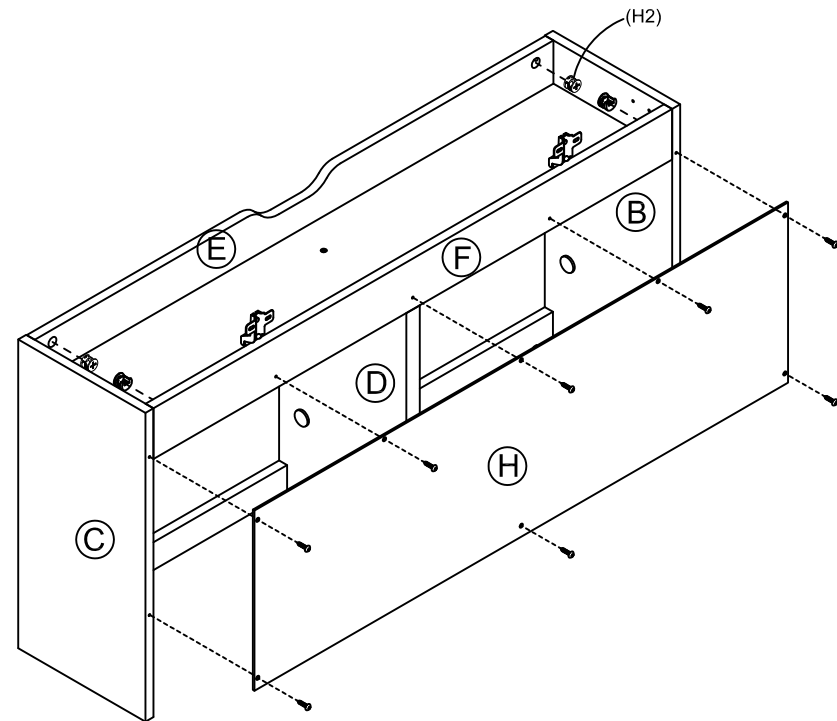
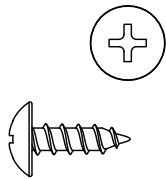
step 7.

.....

(H2) x 4
cam lock



(H5) x 8
M4.2*1/2" screw



7.1 Secure the right side panel(C), front vertical plate(E) and back vertical plate(F) with two cam locks(H2).

7.2 Secure the left side panel(B), front vertical plate(E) and back vertical plate(F) with two cam locks(H2).

7.3 Attach back panel(H) to assembly using eight screws(H5).

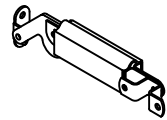
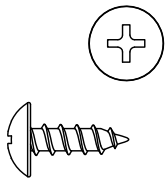
7.4 Fully tighten cam locks and screws.

step 8.

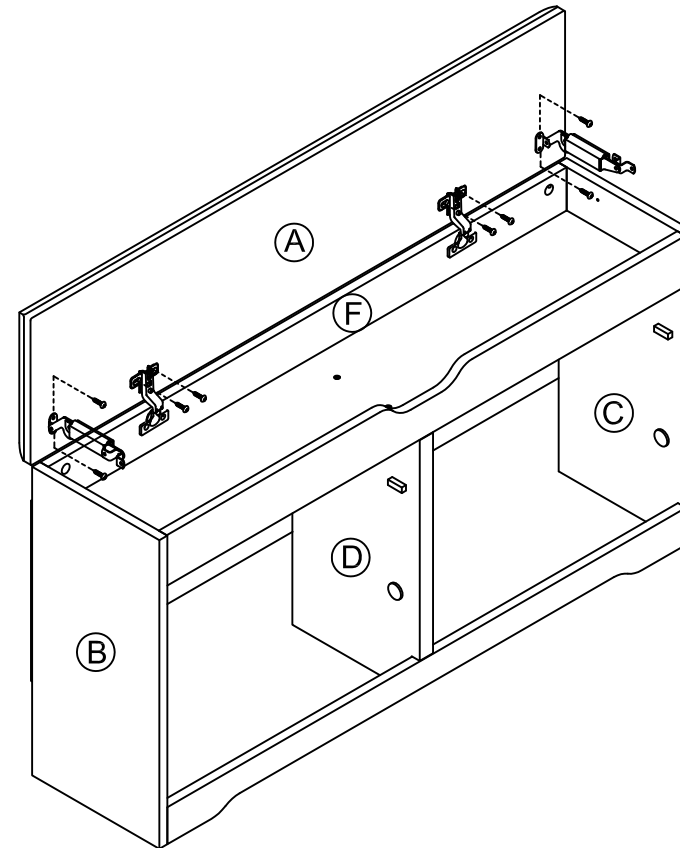
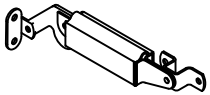
.....

.....
(H5) x 8
M4.2*1/2" screw

(H7) x1
left support hinge



(H8) x1
right support hinge



8.1 Attach the top(A) and back vertical plate(F) with four screws(H5) and hinges(H9).

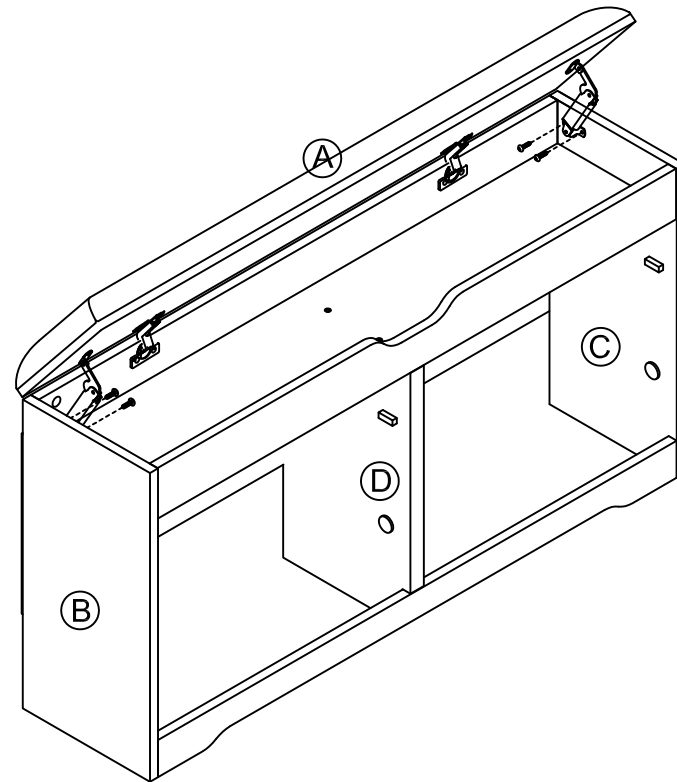
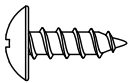
8.2 Attach left & right support hinge(H7 & H8) to top(A) using four screws(H5).

8.3 Fully tighten all screws.

step 9.

.....

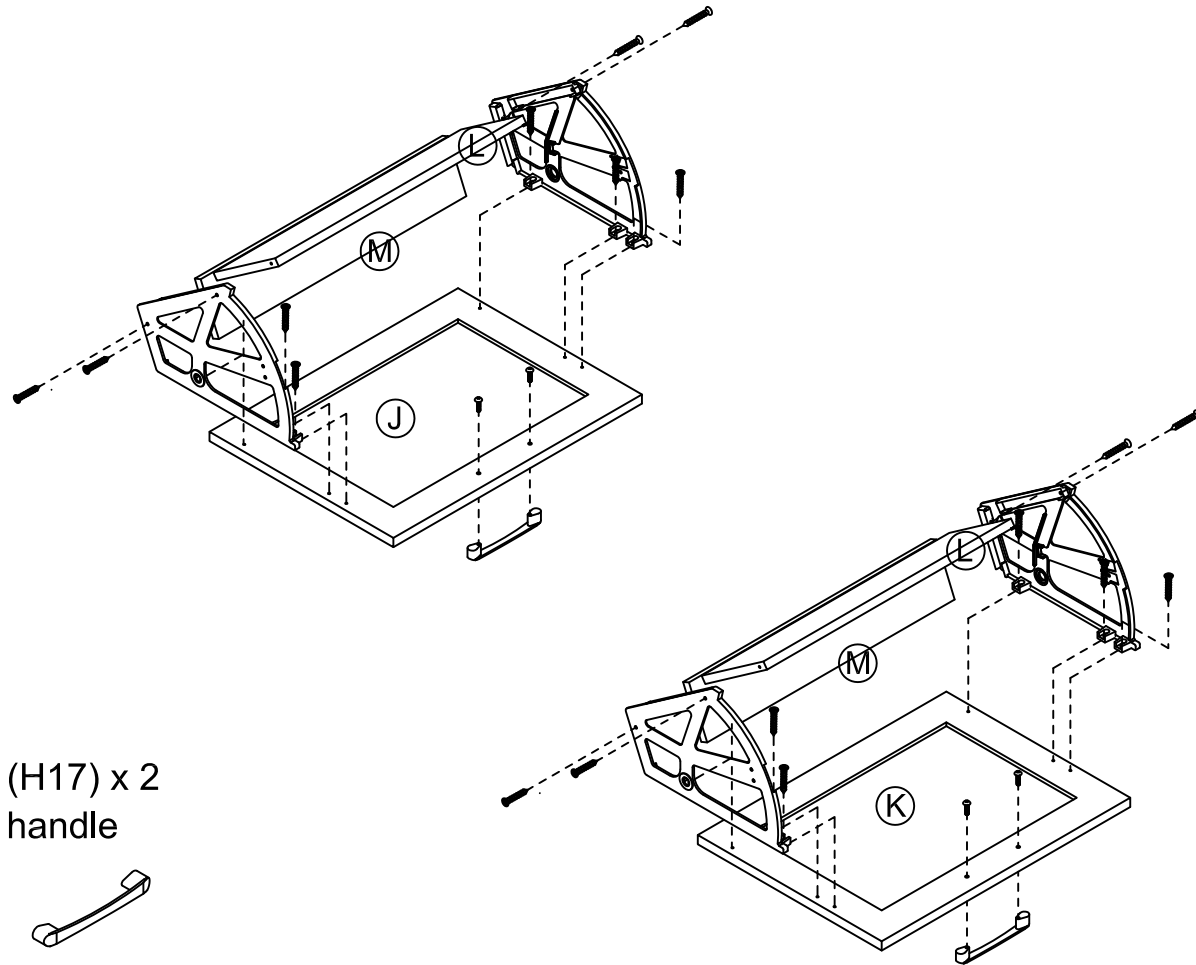
.....
(H5) x 4
M4.2*1/2" screw



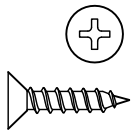
9.1 Attach left & right support hinge(H7 & H8) to left & right side panel(B & C) using four screws(H5).

step 10.

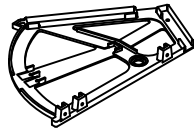
.....



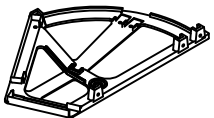
(H4) x 20
M3.5*5/8" screw



(H10) x2
left turnplate



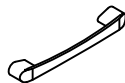
(H11) x 2
right turnplate



(H15) x 4
M4*3/4" bolt



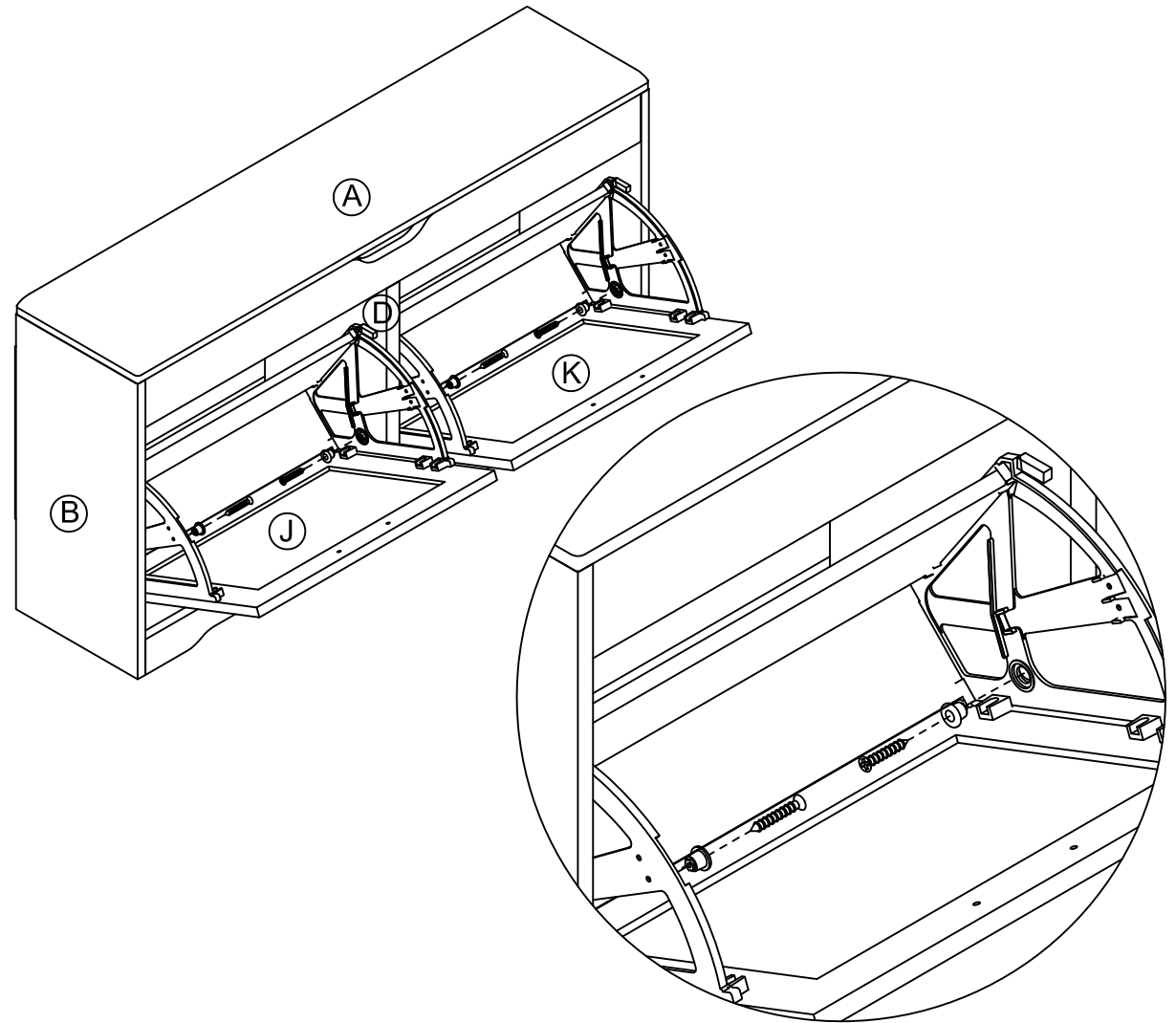
(H17) x 2
handle



- 10.1 Attach the left & right turnplate(H10 & H11) to the left turning panel(J) with six screws(H4).
- 10.2 Attach the small top(M) and shelf(L) to the left & right turnplate(H10 & H11) with four screws(H4).
- 10.3 Secure the handle(H17) and left turning panel(J) with two screws(H15).
- 10.4 Attach the left & right turnplate(H10 & H11) to the right turning panel(K) with six screws(H4).
- 10.5 Attach the small top(M) and shelf(L) to the left & right turnplate(H10 & H11) with four screws(H4).
- 10.6 Secure the handle(H17) and right turning panel(K) with two screws(H15).

step 11.

.....
Note: screw(H16) in the plastic bag
with the plastic parts.



.....
(H14) x 4
plastic parts 3

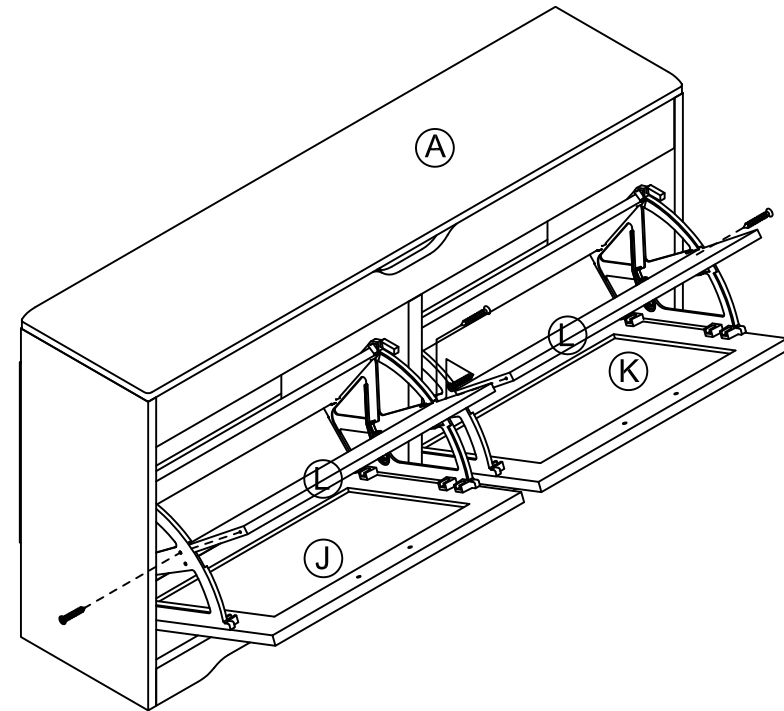
(H16) x 4
M3.5*7/16" screw



- 11.1 Locate the plastic parts 2(H13) on the left side panel(B) and middle panel(D), and attach plastic parts 3(H14) to plastic parts 2(H13) with screws(H4).
- 11.2 Locate the plastic parts 2(H13) on the right side panel(C) and middle panel(D), and attach plastic parts 3(H14) to plastic parts 2(H13) with screws(H4).

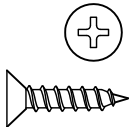
step 12.

.....



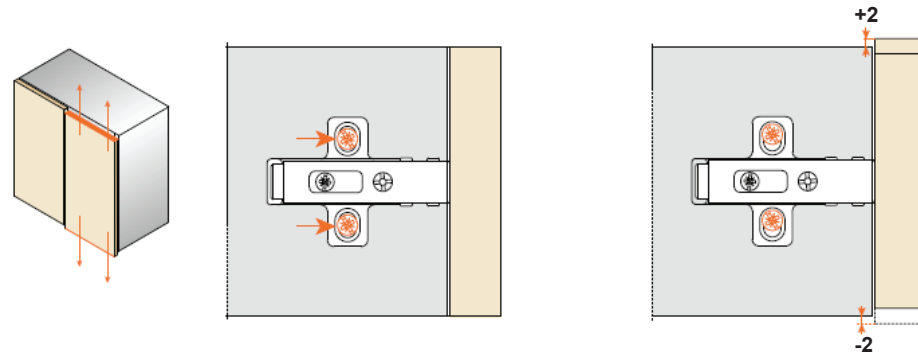
.....

(H4) x 4
M3.5*5/8" screw

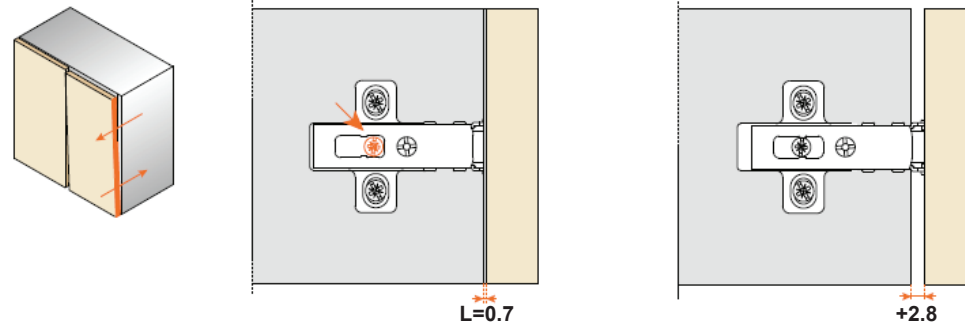


12.1 Install the two shelf(L) on the left and right turnplates(H10 & H11) with two screws(H4) each.

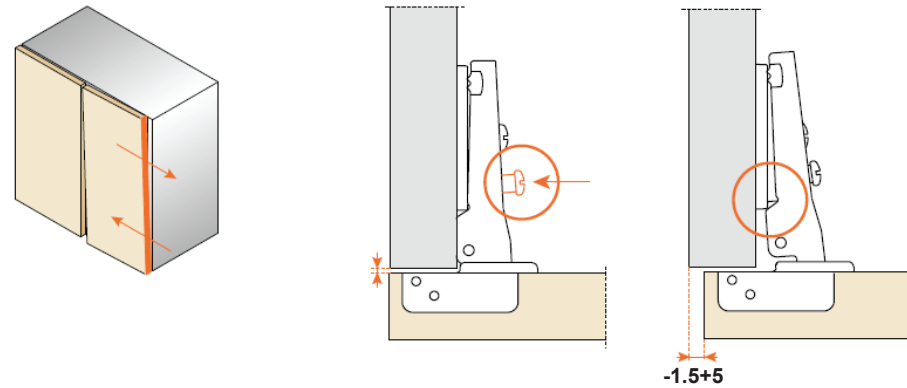
Height Adjustment is achieved by loosening the two screws indicated by the arrows. Once all plates are loosened, the door can be repositioned vertically. The screws are then tightened when the door is in the desired position.



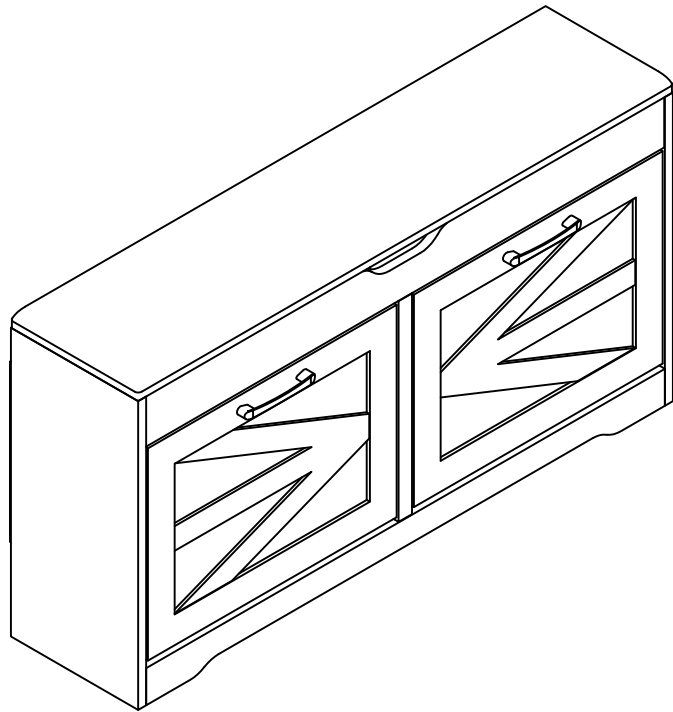
Depth Adjustment is achieved by loosening the center screw indicated by the arrow. Once loosened, the door can then be positioned away from the cabinet up to 2.8mm. The screw is then tightened when the door is in the desired position.



Lateral Adjustment is achieved by rotating the screw indicated by the arrow. By rotating the screw clockwise, the overlay will be reduced and if rotated counterclockwise, the overlay will be increased.



WEIGHT LIMITS:



▲ WARNING

Please make sure that all objects are removed before moving the assembled unit.

The unit must be team lifted, not dragged or pushed. Failure to do so could cause instability, product collapse, and / or serious injury.

This unit has been designed to support the maximum loads shown.

Exceeding these load limits could cause sagging, instability, product collapse, and / or serious injury.

Enjoy Your Furniture